

SPECIFICATION DATA



TRAMCO Model 400SE Automatic Sewage Pump

TRAMCO's **Model 400SE** Automatic Sewage Pumps are engineered and precision built for years of dependable, maintenance free service. Quality materials and construction for residential and commercial applications.

Applications

Sewage Ejector
Sump Pump

Pump

The Model 400SE is a centrifugal type pump fitted with a semi-open impeller accurately machined and balanced for smooth, quiet operation.

Mechanical Shaft Seal

Model 400SE pumps are fitted with a mechanical shaft seal which prevents the liquid being pumped from entering and contaminating the lower sleeve bearing while retaining the lubrication in the pump. Seals are available with hardened faces for abrasive liquid application.

Pump Lubrication

Tramco's lubrication system provides continuous lubrication to shaft, self lubricated intermediate and lower sleeve bearings. It eliminates the need for external grease lines or product lubricated sleeve bearings.

Shaft Column Pipe

The pump is manufactured with schedule 80 hot dipped galvanized steel.

Shaft

The shaft is high accuracy, grade 1215 turned, ground and polished.

Discharge Pipe

Size 2" schedule 40 hot dipped galvanized steel with a NPT connection

Motor Support Bracket

The heavy cast pedestal is accurately machined to house the thrust bearing and align the motor.

Bearings

The thrust ball bearing is sealed, grease lubricated and elevated above the cover plate for protection from dirt and moisture. The lower bearing is self lubricating.

Floor Plate Suspension Cover

Heavy duty Adjustable 20" diameter steel with a 2" vent, (Type A), with inspection plate and removable pump plate without disturbing the vent (Type D).

Motor

The motor features a 1/2HP 115V single phase double capacitor start, induction run, totally enclosed fan cooled with automatic thermal overload protection and drip canopy for added safety. The motor and pump shafts are connected by a flexible coupling that allows the motor to be easily removed without disturbing the pump and piping by simply removing four bolts.

Float Control

Heavy duty motor mounted float switch with stainless steel float ball, brass float rod and easily adjustable brass rod stops.



Type A



Type D

QUALITY YOU CAN COUNT ON,
A NAME YOU CAN TRUST

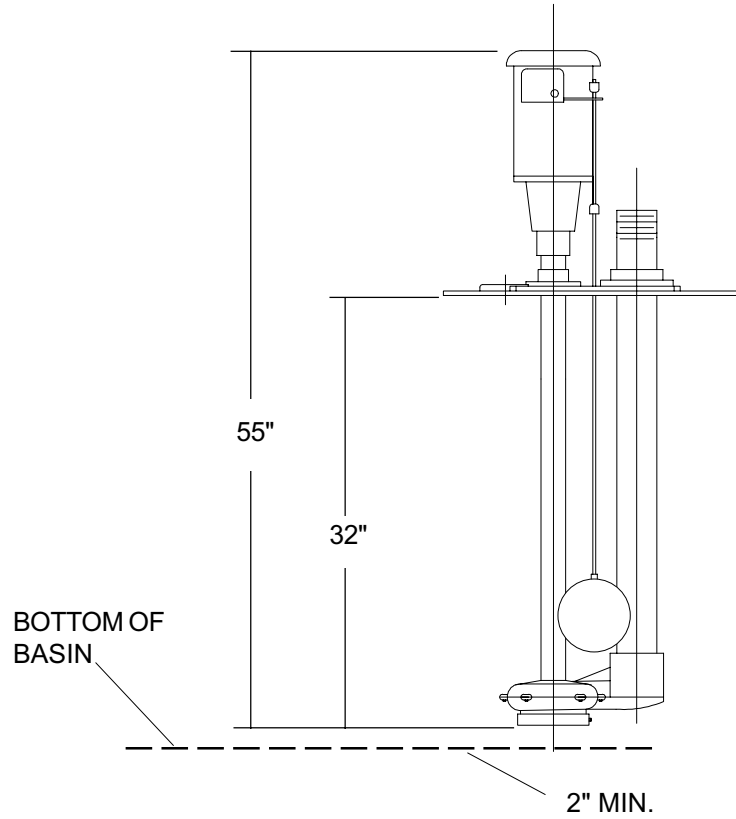
Since 1924

TRAMCO PUMP COMPANY

1500 West Adams Street Chicago, Illinois 60607

Phone 312-243-5800 Fax 312-243-0702 Visit our Web Site WWW.TRAMCOPUMP.COM

TRAMCO 400SE Sewage Pump



TRAMCO PUMP COMPANY
1500 West Adams Street Chicago, Illinois 60607
Phone 312-243-5800 Fax 312-243-0702 Visit our Web Site WWW.TRAMCOPUMP.COM